

The **View-2-Map** module synchronizes the XYZ result of a measurement with a video feed captured of that same measurement.

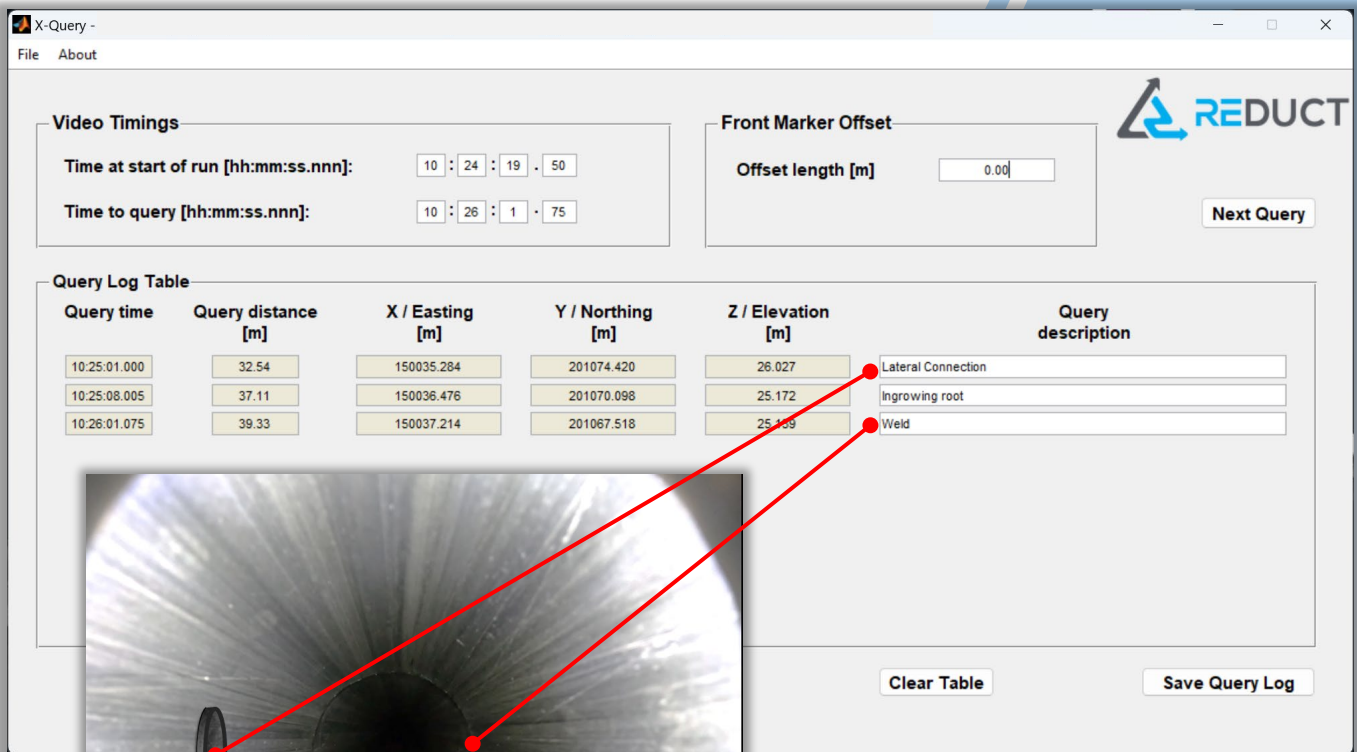
Software

The **View-2-Map** includes a non-transferable X-Query™ (XQ) software licence. XQ is an intuitive software that synchronizes the XYZ data with a video feed shot while mapping.

How does XQ work?

- The XYZ measurement result is opened in XQ.
- The user opens the video feed in any viewer.
- After entering the start of movement time, the user watches the video and pauses it at a point of interest.
- XQ displays the *Distance from Start* and the *XYZ coordinate*.
- The user adds a free-form description for reference. This may also be sector specific coding.

As simple as that!



The screenshot shows the X-Query software interface. At the top right is the REDUCT logo. Below it are two input sections: "Video Timings" with fields for "Time at start of run [hh:mm:ss.nnn]" (10:24:19.50) and "Time to query [hh:mm:ss.nnn]" (10:26:1.75); and "Front Marker Offset" with a field for "Offset length [m]" (0.00). A "Next Query" button is to the right. Below these is a "Query Log Table" with the following data:

| Query time | Query distance [m] | X / Easting [m] | Y / Northing [m] | Z / Elevation [m] | Query description |
|--------------|--------------------|-----------------|------------------|-------------------|--------------------|
| 10:25:01.000 | 32.54 | 150035.284 | 201074.420 | 26.027 | Lateral Connection |
| 10:25:08.005 | 37.11 | 150036.476 | 201070.098 | 25.172 | Ingrowing root |
| 10:26:01.075 | 39.33 | 150037.214 | 201067.518 | 25.189 | Weld |

At the bottom left is a video feed showing a pipe interior. Two red lines connect the "Lateral Connection" and "Weld" rows in the table to corresponding points in the video feed. At the bottom right are "Clear Table" and "Save Query Log" buttons.

Hardware

The **View-2-Map** module includes a mounting frame for the GoPro Hero 11 Mini camera with Max Lens Mod (recommended). The frame is compatible with the ABM-90, ABM-5, DR-4 and DR-5 Mapping Systems.

Hardware Components



Mounting for Centralized Wheel Set



Mounting for Invert Wheel Set



GoPro Frame with dual LEDs and replaceable battery



GoPro Hero 11 Mini with Max Lens Mod (not included)

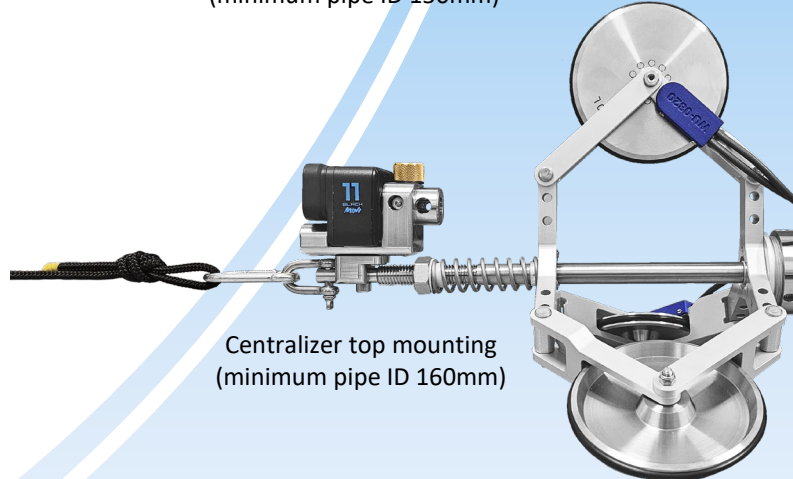


LED specifications (per LED)

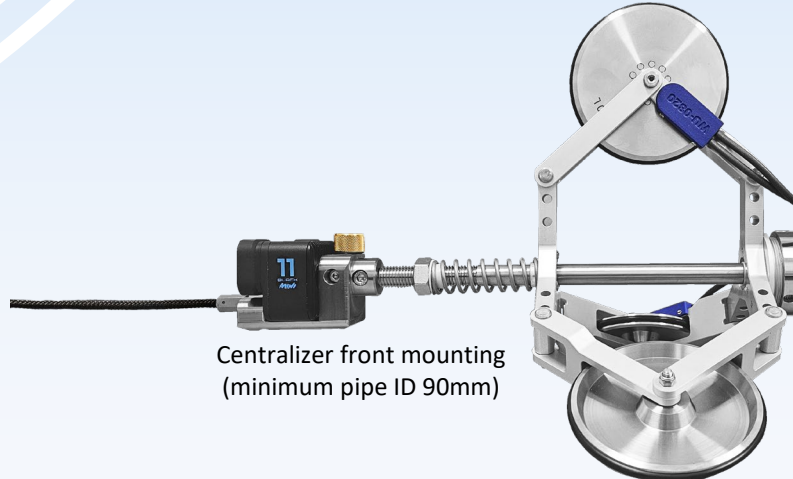
Colour Temp (Degrees Kelvin): 5700 K
Luminous Flux: 130lm



Invert mounting (minimum pipe ID 150mm)

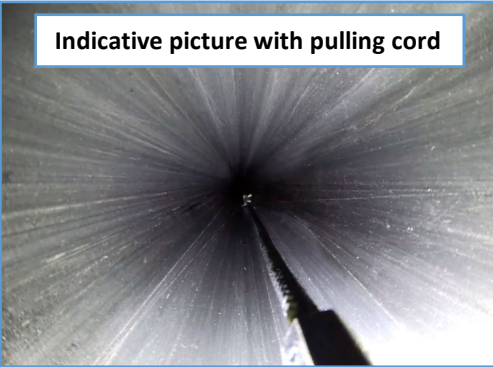


Centralizer top mounting (minimum pipe ID 160mm)



Centralizer front mounting (minimum pipe ID 90mm)

Indicative picture with pulling cord



Indicative picture without pulling cord

